



CABLE BIRD®

DATA SHEET

THE DISSUASIVE PROCESS FOR BIRDS REMOVAL



CABLE BIRD®, dissuasive process for removal of birds. Very discreet, quick to instal, economical.

- No risk of injury, ideal for window sills, ballustrade...
- The combined rolling effect with the spring effect of the hooks, ensures efficiency.
- Does not damage the supports.

MAIN FEATURES :

- High resistance to oxygen, ultraviolet, alkalisalts.
- Very poor solvent resistance.
- Adhesion : up to 5,20 kgs/cm² (strength of 125 kgs/25cm)
(the test was conducted in the laboratory, with a maturation period of 5 years and a half)

TECHNICAL DATAS **CABLE BIRD®** :

- **Supports**
 - Polycarbonate, treated with anti-UV protection in the mass
- **STEELINOX® rod**
 - Diameter : 1,5 mm
 - Lenght : 500 mm
- **STEELINOX® hook**
 - Same as rod
 - Diameter : 1,2 mm

STEELINOX® gives real benefits :

- Very good resistance allowing a very good efficiency.
- Very good elasticity : The combined rolling effect of the rod and the hook.
- STEELINOX® material is used in the automotive industry.
- Composition : 95 % zinc ; 5 % aluminium ; FE.
- Good resistance to salt spray.

CABLE BIRD® BOX 50 M COMPOSITION :

- 200 polycarbonate supports
- **CABLE BIRD® Single** : 100 Steelinox® rods 1,5 mm ; length 500 mm
200 single Steelinox® hooks 1,2 mm
- **CABLE BIRD® Double** : 200 Steelinox® rods 1,5 mm ; length 500 mm
200 double Steelinox® hooks 1,2 mm

ECOPIC® ADVICE :

- CABLE BIRD® is used when a location is occupied by pigeons also in a low pressure place.

Cleaning : For a better guarantee, clean with SELCLEANING®, (natural cleaner)

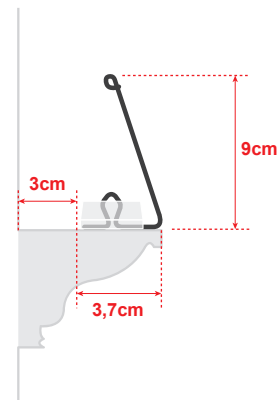
Guarantee : Refer to the conditions defined in our brochure or website

WHERE INSTALLING :

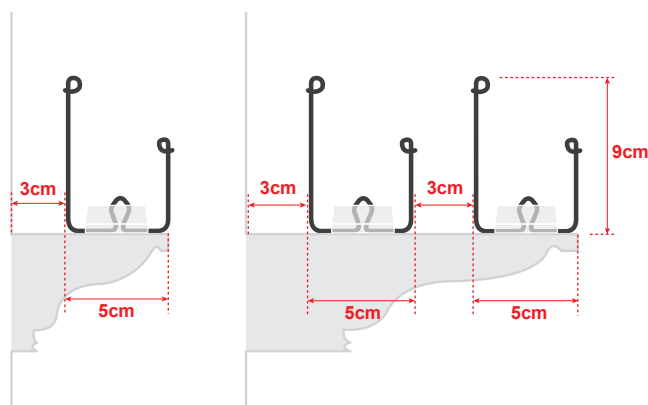
- All types of buildings, statues, museums, factories, schools, balconies, railings...

MANUAL :

- See installation sheet



CABLE BIRD® 1



CABLE BIRD® 2

ECOPIC

ZAC DU MOULIN
12 RUE DU MEUNIER
95700 ROISSY EN FRANCE

PHONE : +33.1.73.27.20.40
FAX : +33.1.30.11.24.55
EMAIL : ECOPIC@ECOPIC.COM

WWW.ECOPIC.COM

SAS AU CAPITAL DE 140 000€
401 788 120 RCS PONTOISE
SIRET 401 788 120 00046
APE 4690 Z
TVA FR 80 401 788 120